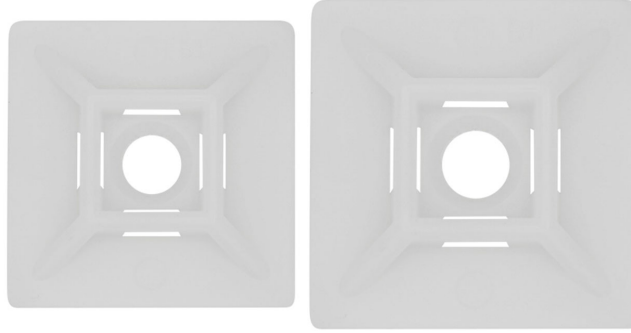


PRODUCT DATA SHEET

MOUNTS PAD



DESCRIPTION

It provides protection against shocks, heat, vibration, moisture accumulation and accidental short circuits.

FEATURES

- Material : Pure Nylon 6.6 Standard UL
- Operating Temperature : - 40 ° C --- +85 ° C
- Color : White

MARKINGS

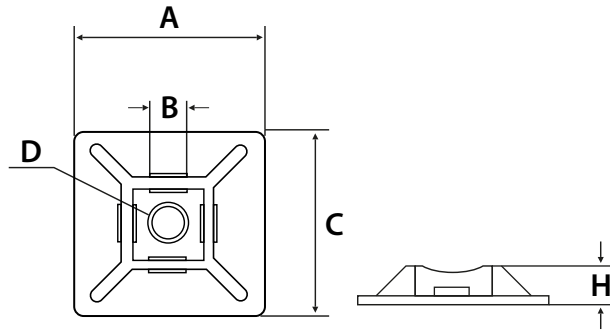


- It complies with RoHS standards.
- It complies with ISO 9001 standards.
- It complies with UL standards.
- It complies with CE standards.

PRODUCT DATA SHEET

MOUNTS PAD

SECTIONS AND DIMENSIONS



PRODUCT CODE	COLOUR	DIMENSIONS				
		A	B	C	D	H
HW - 3A	White	19	19	3.6	Ø3.2	4.0
HW - 4A	White	28	28	4.8	Ø3.2	4.5